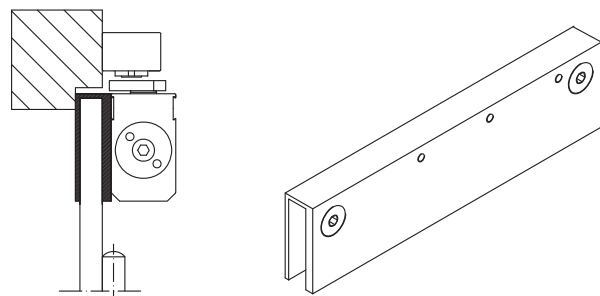




ACCESSORIES

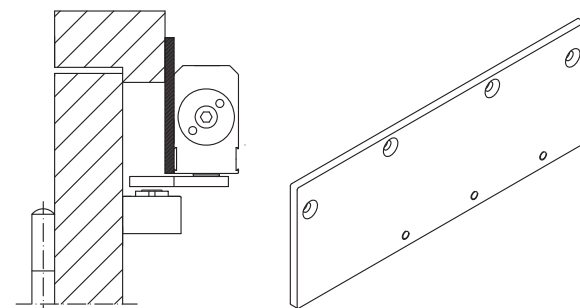
Glass door shoe (FP1)

For installation of the door closer on glass doors (max. 10mm glass thickness)



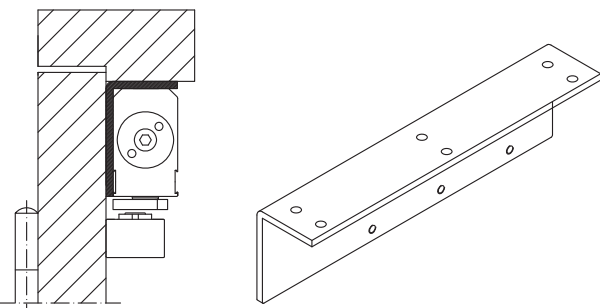
Drop plate (FP2)

For fixing, when the door closer can not be installed directly onto the door frame



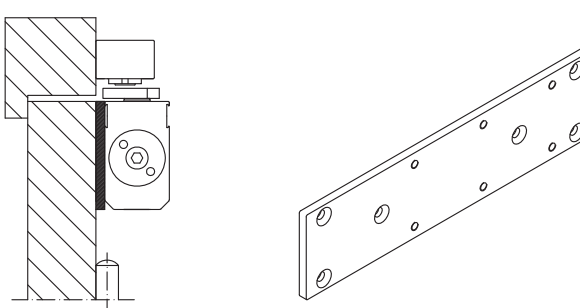
Angle bracket (FP3)

For transom fixing of the door closer on the push side in case of a deep lintel of the door



Mounting backplate (FP4)

For smoke and fire resistant doors



Hold open device in track



Back check cushion



Cover



TOWER WEST 12FL, UMEDA SKY BUILDING, 1-1-30, OYODO-NAKA, KITA-KU, OSAKA 531-0076 JAPAN
 Phone: 81-(0)6-6454-9721
 Facsimile: 81-(0)6-6454-9727
 E-Mail: info@kenwa.co.jp <http://www.kenwa.co.jp>
<http://www.micomautodoor.com>

E.&O.E.
 All sizes, photo's and drawings are subject to change without prior notice.
 Copyright © 2013 KENWA CO.,LTD. OSAKA JAPAN All Rights Reserved.

DISTRIBUTED BY

NHN 480 SERIES



DATA & FEATURES

The NHN 480 Series overhead door closer is the third in the Flagship range from NHN's next generation of door closers.

Incorporating the latest cam type technology, the NHN 480 Series of door closers offers easy opening with increased efficiency on the closing torque.

The power is adjustable by screw from EN2-4. The closing speed is easily adjusted via two independent adjustment valves. The slide arm can be fitted with a hold open device.

NHN 480 is CE / EN3 approved to EU directives (89/106/EEC) by the EN 1154:1996/A1:2002 and EN1634-1:2000. 10 year guarantee.

- NHN 480 Series offers sizes EN 2-4, spring power adjustable by power adjustment screw.
- Back check function with cushion effect in track available.
- Easy installation.
- Easy speed and control adjustments by valve screws on the top of the closer body.
- Slimline body.
- Non-handed applications.
- Comprehensive range of accessories including stainless steel and brass.
- RAL9006 finish as standard with others available

SELECTION CHART

Power size (EN)	Door width (mm)	Door weight (kg)	480 SERIES		
			SLIDE ARM	HOLD OPEN	BACK CHECK cushion
2	850	40	480	480S	480BCC
3	950	60			
4	1100	80			
CE Approved/EN3			CE		CE

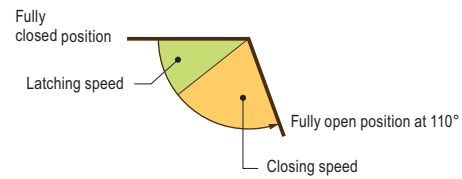
NOTE 1: Where the actual size and mass of door to which the door closer is to be fitted relates to two sizes of door closers, the larger power size of door closer should be used.
 NOTE 2: The door widths given are for standard installations, in the case of unusually high or heavy doors, windy or draughty conditions, a larger power size of door closer should be used.



FUNCTION

Closing & latching speed

The closing speed from maximum opening angle to 15° and the latching speed from 15° to 0° can easily be controlled by two independent valves on the top of the closer.

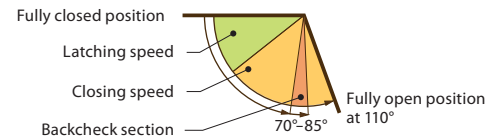


Back-check function (optional)

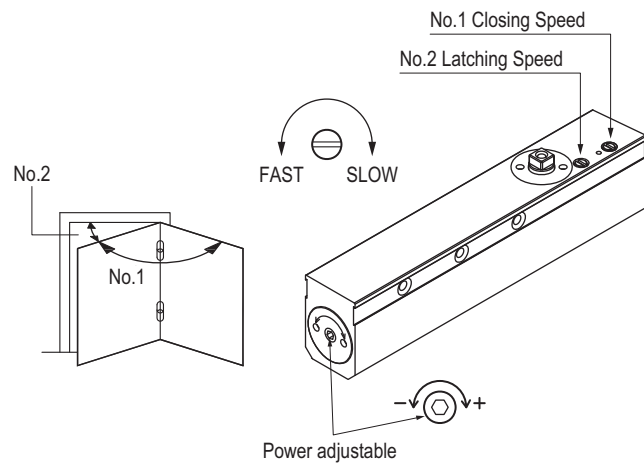
This function is built into the track of the slide arm and gives a cushion effect to the outward swing of the door. Most suited where the opening door might hit a wall ie. in a corridor, or where it could injure someone if it opens too quickly. It is recommended for use on externally opening doors in windy environments.

The back check function is adjustable within the track. Recommended angle is between 70° and 85°.

IT SHOULD NOT BE REGARDED AS A DOOR STOP!



ADJUSTMENT

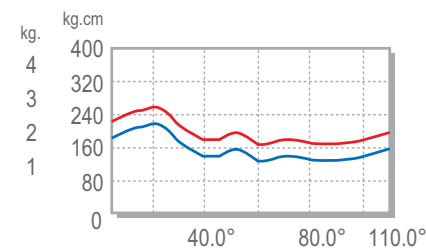


Power adjustment

* : FACTORY PRE-SET

2-4 MODEL		
NO. OF TURNS	DIRECTION	SIZE
4	-	2
0	*	3
6	+	4

New technology, creating more efficiency in closing torque, giving lower opening resistance.



For adjustment the closing speed screw and the latch speed screw are located on the top of the closer body.

The power adjustment screw by no. 480 Series is located at the short side of the closer body. The manual shows the setting and the number of turns required to change the power force of the no. 480 closer body.

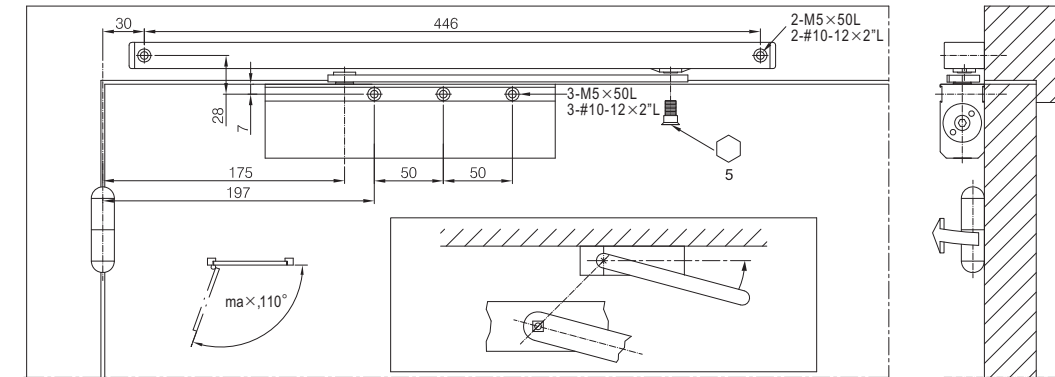
The no. 480 series door closers are designed to allow a door opening angle of 110° by using butt hinges with a maximum offset of 10mm. Using the door closers in top jamb application or using hinges with a different offset can limit the maximum opening angle of the door.

It is recommended to fit always a door stop.

INSTALLATION

Standard installation

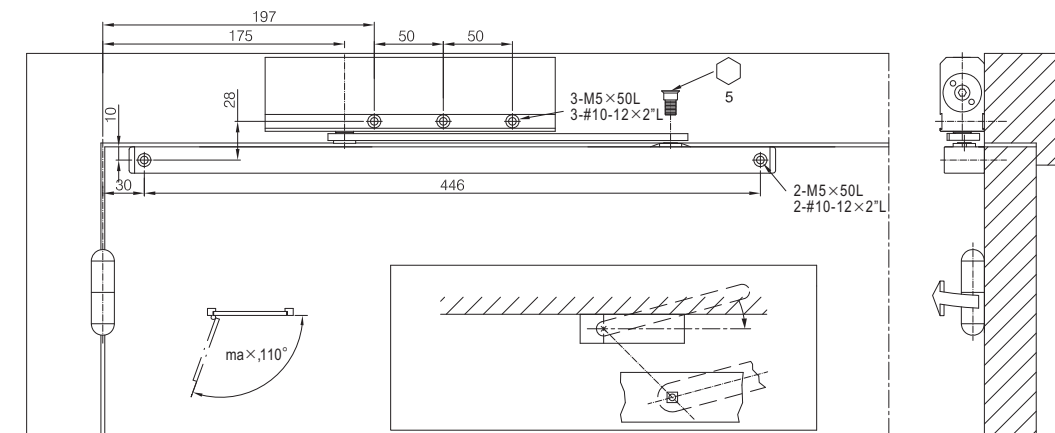
Closer mounted hinge side of door.



This illustration shows the NHN 480 door closer with slide arm in a right handing configuration (DIN L)

Top jamb installation

Closer mounted hinge side of door.

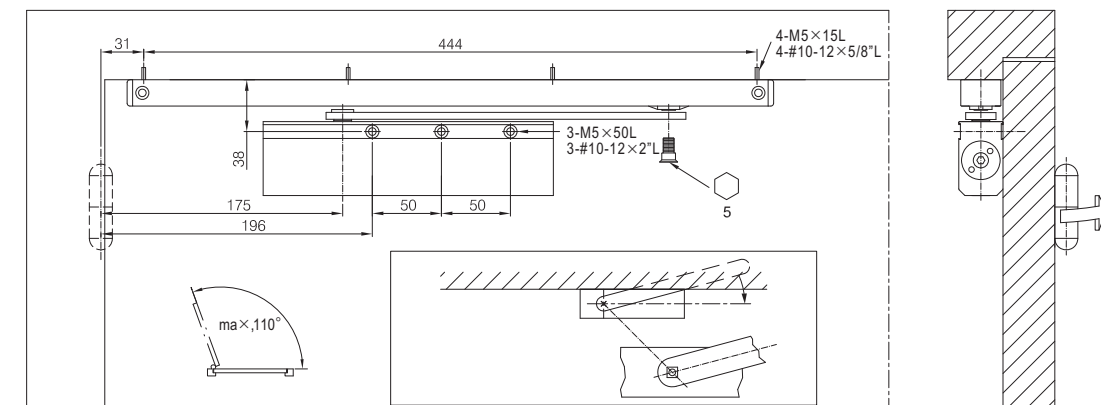


This illustration shows the NHN 480 door closer with slide arm in a top jamb right handing configuration (DIN L).

Outswing installation

Closer mounted opposite hinge side of door.

In this configuration you can use the door closer for outswinging doors.



This illustration shows the NHN 480 door closer in a left handing configuration (DIN R).